

Collecting and Shooting the Military Surplus Rifle

OUR  
SPONSORS

Please make certain to visit our  
new Showcase of Sponsors!  
[More!](#)

Tennessee Gun

SCREW-ON  
SEMI-PISTOL  
GRIP FOR RIFLES  
For "Do-it yourselfers"



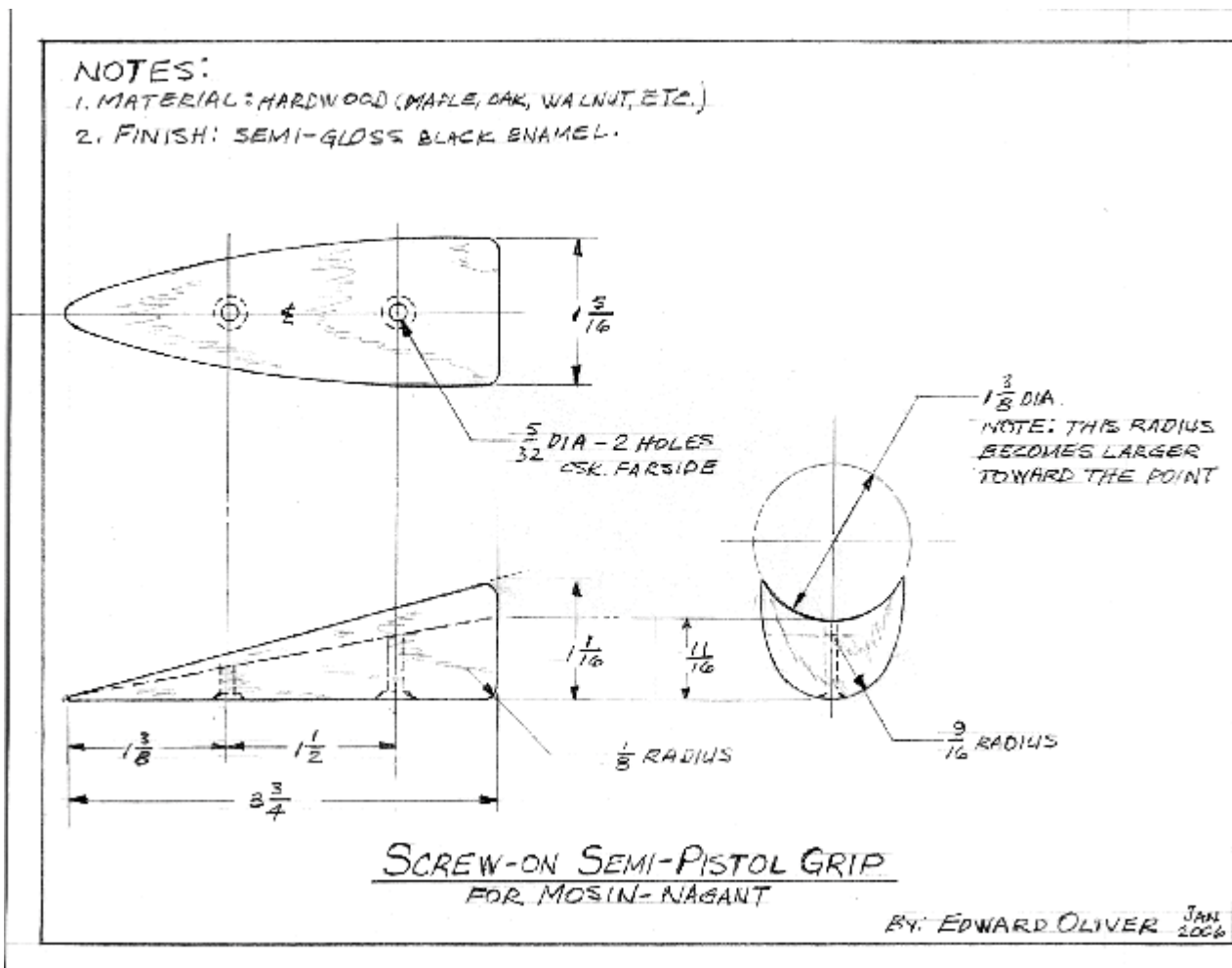
Scerw-On Semi-Pistol Grip for Rifles  
"For Do-it yourselfers"

Article by Edward Oliver

## [Site Disclaimer](#)

[Adobe PDF Downloadable Version of Article](#)

Few things can make a gun feel more like "your gun" than tailoring the "grip" of a rifle to suit your needs/feel. Have you noticed that some guns feel just right in your arms/hands? In the case of guns it has to do with a science called "ergonomics": An applied engineering science that seeks to interface man and machines in such a way that they are safer and more efficient. This science was not born until 1949, so Mr. Mosin didn't use it; besides, in military weapons, many manufacturing decisions have more to do with manufacturing expediency and materials availability than Soldiers' comfort. Even so, no one can tell us what feels good, and what doesn't. One just knows, so make you comfortable. You may even shoot more accurately.



To view a large 8.5 x 11 inch printable version of the plan click on the image above.

Consider making a Screw-on piece (to add to the stock grip underside) to enhance the pistol grip feel (Fig. 1). I think you will like the feel if not the look. The Screw-on piece should be made of hardwood, and fit the underside of the rifle grip contour (see working drawing above). The piece is 3-1/2" long, and about 1-1/4 wide at the rear. Screw it to the stock with 2 fine-thread #6 dry-wall screws. The front tip should be installed about 1/4" behind the trigger guard. The Screw-on piece is an interesting little project. Only the rear surface is flat. Use your imagination, and woodworking skills to add-in details such as material choice, finish, checkering, or length-wise striations. I'll bet you can best me.



To make the grip even more comfortable, file a depression on the stock grip to accommodate the area under the thumb of whatever hand you use. A rasp, or bastard file, works well for fast wood removal; then wrap sandpaper on a cylindrical piece of wood or metal to finish the job. Some expensive gunstocks have this feature, so copy one. It is difficult to show in pictures. This option alone will make the gun feel like it belongs to you. In ergonomics, one can accomplish a lot by removing a little here and there, just be sure you know where.





Both these Mosin M44 grip ergonomic improvements can be also be made to many straight grips found on Mil-Surplus weapons. The two "Screw-on semi-pistol grip" pieces I made are not fancy, but not especially ugly, and they do feel good! And, they are safe and more efficient.

[Adobe PDF Downloadable Version of Article](#)

[Site Disclaimer](#)

**Article by Edward Oliver**